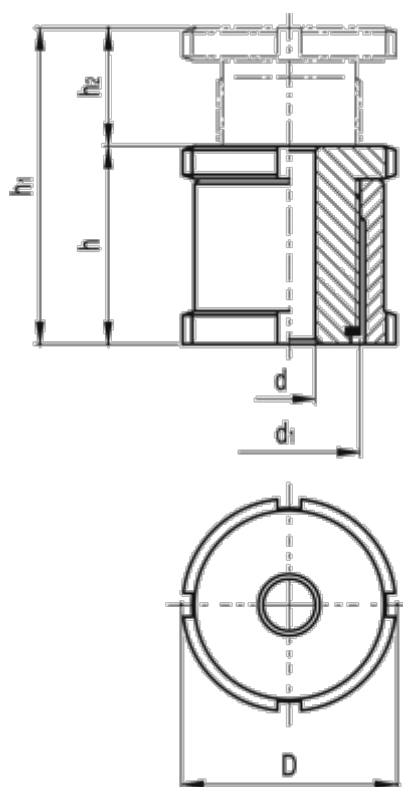


# Data Sheet



Article number: 20662235B  
Description: E+G Levelling set  
GN 350-58-22-A-NI

## Measures



C-spanner DIN 1810 = A58-62  
 $d$  = 22.0  
 $D$  = 58  
 $d_1$  = M40x1  
For screw = M20  
 $h$  = 54  
 $h_1$  = 86  
 $h_2$  = 32

Max static load (N) = 148.0  
Static preload (N) = 59.1  
Weight (g) = 733